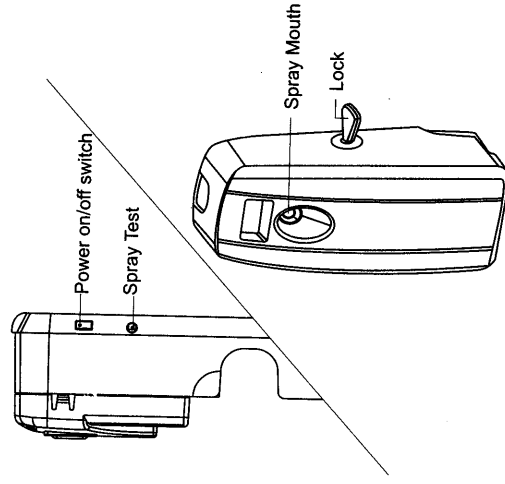
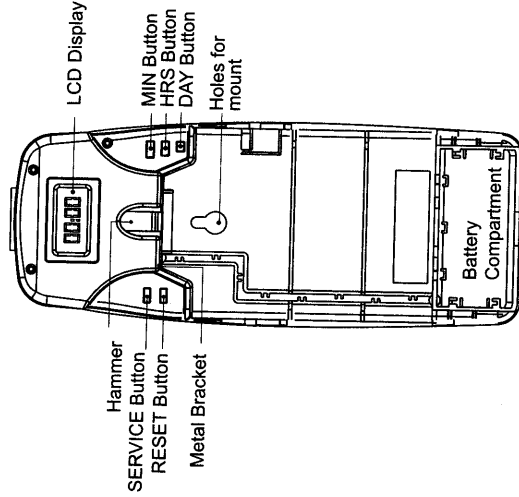


# Digital Fragrance Dispenser Instruction

## Features



## Attention:

1. Please do not hold dispenser towards your face with Refill inside.
2. The dispenser is not water proof.
3. Please keep the dispenser away from Children and food.
4. Avoid spraying onto plastic, varnished or painted surfaces.
5. Always replace with new alkaline batteries and never leave dead batteries in the dispenser.
6. If you do not use dispenser for long time, please take out batteries and refill can.

## Installation

1. The dispenser is recommended to be installed as high as possible, it is best placed away from windows, fans and doors.
2. To use double sided tape, the wall must be cleaned first and then dried, remove the double sided tape protection strip, place on the wall and hold against the wall for 1 min.
3. Ensure the dispenser is mounted securely on the wall.

## Direction to Use

1. Power on, LCD will display 00:00, Mon (Monday)
2. Clock setting: Press the "HRS" button directly to set hours. "MIN" button to set minutes. "DAY" button for set the date.
3. Spray start time: Press the "SERVICE" button one time to displayed (0:00, ON) on LCD, press the "HRS" button for set hours. "MIN" to set minutes.
4. Spray stop time: Press the "SERVICE" button twice to displayed (0:00, ON) on LCD, press the "HRS" button for set hours. "MIN" to set minutes.
5. Spray interval time: Press the "SERVICE" button three times to displayed 15 on LCD,

press the "MIN" to set interval time from 1 ~ 60mins.

6. OFF day setting: Press the "SERVICE" button four times to displayed OFF DAY on LCD, press the "DAY" button, MO blinking (MO denote MONDAY). Press the 'MIN' to setup; (you can set several off days). repress the "DAY" button for move to next day.
7. OFF day remove: the "DAY" button will be canceled the off day while move and cover the before setting.
8. Totally spray times: 3000, 3100, 3200, 3400, 4000, 5500, 6000, 9000 times for selection.
9. Press the "SERVICE" button five times to displayed "3000" and blinking on LCD, press "MIN" button for set up., Press "DAY" button to move down next choice.
10. Note: Only one spray times mode for choice at a time, device stop operation automatic when the setting number calculations exhausted, the device will restart the calculation according to the user final setting.
11. Press the "SERVICE" button long by 3secs. the times have been sprayed displayed on LCD, repress the "SERVICE" button for displayed the days of the rest spray times.
12. Low Voltage display: LCD screen displayed and blinking "LOW" and battery symbol when the battery voltage below 2.5V.
13. System will keep the setting data within 2 minutes after power off and restart. otherwise will lost.
14. Switch off the machine and stay the battery inside, system will keep the setting data under the battery has the power, otherwise will lost.
15. Attention: Please take out the battery and the aerosol can while you do not use the device for a long time.

Factory default setting is to work on 24 hours with the 15 mins spray interval time and totally 3000 spray times.